

Vismart

Intelligent Building Systems

V-ZigBee Control Smart Home Systems

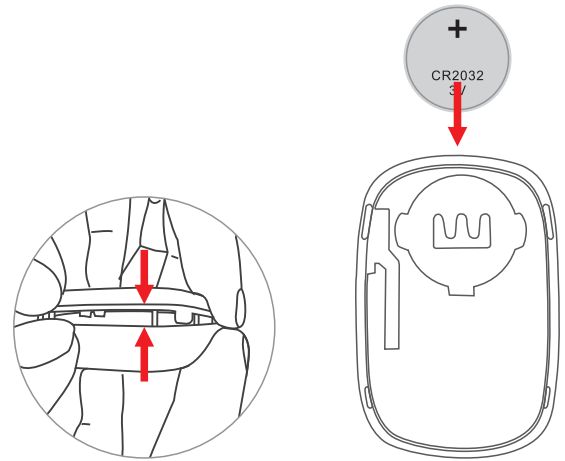
VGZ-RC17

REMOTE CONTROL

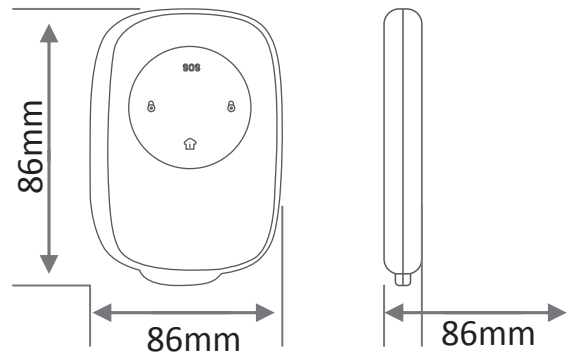
USER MANUAL



BATTERY REPLACEMENT



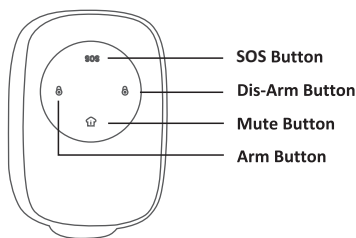
Dimensions



INTRODUCTION

Security system can be armed, dis-armed with only push of a button using this little remote control. You can trigger the alarm with SOS button in any case of emergency and activate scenarios built in the mobile security application.

Long lasting battery life and small size removes the hassle of security system keypads and puts the full control in your pocket.



SOS: In an emergency use this button to activate the alarm and send an alarm notification to the registered mobile device.

Arm Alarm: Arms/activates the alarm system.

Dis-Arm Alarm: Dis-arms/cancels the active alarm system.

Mute: Mutes the alarm sound, keeps the alarm system armed.

INSTRUCTIONS

To Setup Your Device:

To remove the cover, release the catch by inserting a flat headed tool in to the slot. Remove the plastic insulator beneath the battery and close back the cover.

You can easily manage the device settings by using this button and following the LED lights instructions.

Network Connection:

Press the Arm Alarm Button and Mute Button together. Green light will start flashing rapidly indicating that the network connection is being made.

Note: Before connecting this device, network connection mode should be activated on the Gateway by using the Settings Button on it.

Factory Settings:

Press the Dis-arm and Mute buttons together. Green led will flash 3 times indicating that factory reset is successful.

SYSTEM PARAMETERS

Voltage:	DC3V (CR2032 / 3.0 V pil)
Standby Current:	≤5uA
Operating Current:	≤30mA
Transmit Power:	<20dBm
Zigbee Distance:	≤150m (open space)
Zigbee Wireless Standarts:	IEEE 802.15.4
Operating Humidity:	MAX% 95 RH
Operating Temp. Range:	-10 ° C ~ 50 ° C
Dimensions:	56x38.5x12.5mm

CONTACT

Headquarter

VIDEOCOM-UK ELECTRONICS AND SOFTWARE LTD.
Unit 2, Little Britain House, Alma Road, Chesham,
Buckinghamshire, HP5 3HB London, United Kingdom

Distributor

VIDEOCOM ELEKTRONIK VE BILGISAYAR SISTEMLERI A.S.
Ivedik OSB 1419.Cad. No:72 06370 Y.Mahalle Ankara TURKIYE

Factory

SHENZHEN VIDEOCOM ELECTRONICS TECHNOLOGY CO.LTD.

5th.Floor East 2nd.Building, Peng Teng Da Industrial Park,
HuarongRd.Longhua, Bao an District Shenzhen CHINA