

# Vismart

Intelligent Building Systems

V-ZigBee Control Smart Home Systems

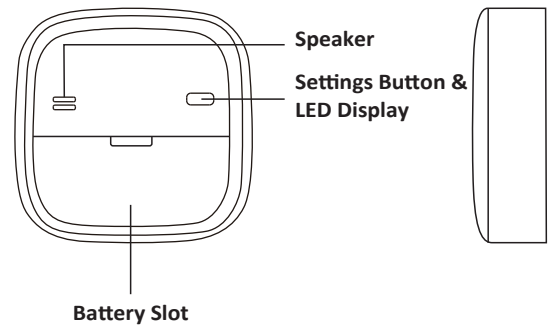
## VGZ-SS17

### SMOKE DETECTOR

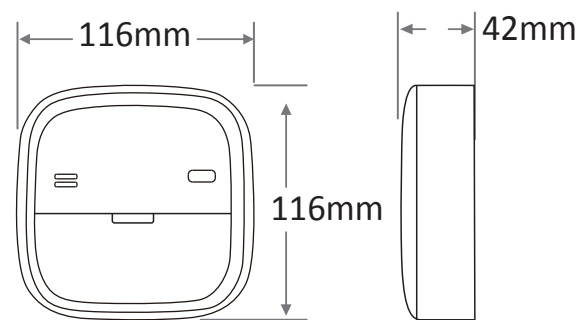
USER MANUAL



## TECHNICAL PROPERTIES



### Dimensions



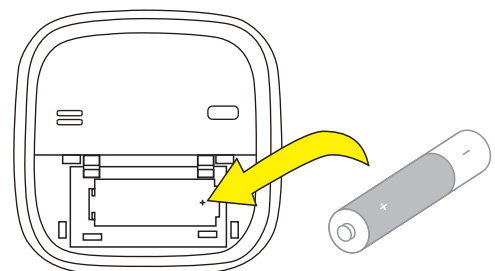
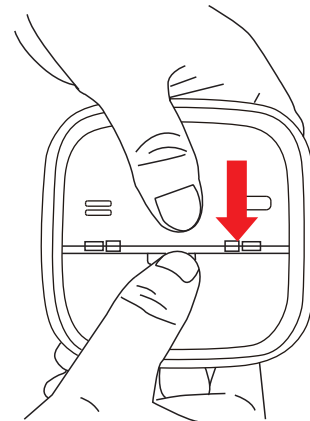
## INTRODUCTION

Smoke detectors are crucial for the safety of you and your property. Though, traditional smoke detectors warn you only if you are at home. With our wireless smoke detector you don't have to worry about not being in your home. If anything bad happens, security system will immediately warn you via the mobile application while triggering the alarm.

### System Parameters

Voltage:	DC3V (CR17450 / 3.0 V battery)
Standby Current:	≤3uA
Operating Current:	≤25mA
Alarm Sound:	≥85dB(1m)
Alarm Value:	3.0%bs
Alarm Mode:	Sound and Light Alarm
Zigbee Connection Range	≤150m (open space)
Zigbee Wireless Standarts	IEEE 802.15.4
Operating Humidity:	MAX 95%RH
Operating Temperature:	-10°C~50°C
Dimensions:	116x116x42mm

## INSTALLATION AND BATTERY REPLACEMENT



Smoke sensor has two different indicator, a green light and a red light.

#### Red Light Meanings:

1. In the User Mode; Red light flashing rapidly or illuminating continuously indicates that alarm is triggered.

#### Green Light Meanings:

1. In the User Mode; Green light blinking shows that device is working normally.
2. In the User Mode; If you press and hold the Settings Button green light will illuminate continuously indicating that device is in Settings Mode.
3. In the Settings Mode; Flashing 5 times indicates that a wrong button input or wrong command have entered.
4. In the Settings Mode; Flashing 2 times indicates that the entered command was successful.
5. In the Settings Mode; Flashing rapidly indicates that a network connection is being made. Green light will flash 3 times after connection made successfully.

#### Red and Green Light Illuminating Together:

1. If the device is not connected or disconnected from network green and red light will flash 3 times simultaneously.
2. To test if the device is working normal or not press the Settings Button once. If the red light flashes 3 times and alarm sounds 3 times, that indicates alarm is armed and working normally.

#### Setting Up the Smoke Detector:

Remove the front cover by pulling as shown in the image above. Remove the insulator of the battery to power the detector and close back the cover. Press the Settings Button once to activate the smoke detector.

**Note:** Install the smoke detector away from possible smoky places (cooking hob, oven etc).

#### Network Connections:

Press and hold the Settings Button till the green light illuminates continuously. When the green light turns on press the button once (green light will flash once after pressing the button).

Press and hold the button again till the green light turns on. Once the device starts searching for the network the green light will start flashing rapidly and when the connection has been made green light will flash 3 times.

**Note:** Before connecting this device, network connection mode should be activated on the Gateway by using the Settings Button on it.

#### Factory Settings:

Press the Settings Button for 3 seconds till the green lights illuminates continuously. Then press and release the Settings Button 10 times (green light will flash once after each pressing). Press and hold the Settings Button for 3 seconds. Green light will flash 3 times indicating that device is successfully returned to factory settings.

**Note:** If you press the Settings Button more or less than 10 times green light will flash 5 times indicating that the process was unsuccessful. You can continue the process by pressing 10 times as explained above.

**Note:** You have to set the network settings after returning back to factory settings.

## CONTACT

### Headquarter

VIDEOCOM-UK ELECTRONICS AND SOFTWARE LTD.

Unit 2, Little Britain House, Alma Road, Chesham, Buckinghamshire, HP5 3HB London, United Kingdom

### Distributor

VIDEOCOM ELEKTRONIK VE BILGISAYAR SISTEMLERİ A.Ş.

İvedik OSB 1419.Cad. No:72 06370 Y.Mahalle Ankara TÜRKİYE

### Factory

SHENZHEN VIDEOCOM ELECTRONICS TECHNOLOGY CO.LTD.

5th.Floor East 2nd.Building, Peng Teng Da Industrial Park, HuarongRd.Longhua, Bao an District Shenzhen CHINA