

VZG-DS17

WIRELESS DOOR/WINDOW SENSOR

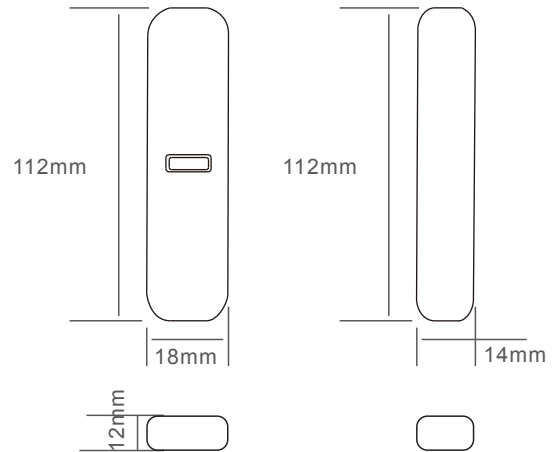
USER MANUAL



SYSTEM PARAMETERS

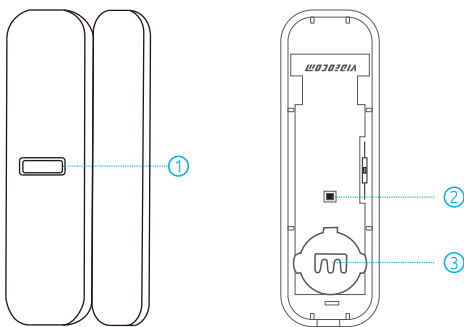
Voltage:	DC3V (CR2450 / 3.0 V battery)
Standby Current:	≤3uA
Operating Current:	≤15mA
Transmitting Power:	<20dBm
Zigbee Network Distance:	≤150m (open space)
Zigbee Wireless Standards:	IEEE 802.15.4
Operating Humidity:	MAX% 95 RH
Operating Temperature:	-10 ° C ~ 50 ° C
Detection Distance:	≥20mm

DIMENSIONS AND ACCESSORIES



INTRODUCTION

Secure all your entrance points to your place with wireless door/window sensors which notifies you and triggers the alarm if any of the sensed door or window is opened. Tamper function also triggers the alarm if sensor is removed or broken. It is super easy to install and can be fitted almost all doors and windows without any tool needed.



1. LED Light and Settings Button
2. Tamper Switch
3. Battery

LIGHT CODES AND SETTINGS

There is one settings button and two LED lights illuminating red and green. There are two working modes; User and Settings Mode

Red Light :

Continuously flashing or continuously illuminated red light indicates that an alarm is triggered.

Green Light :

1. In the User Mode, green light flashes once show that the device is working normally.
2. In the User Mode, when you press and hold the Settings Button for 3 seconds green light will continuously illuminate, shows that now the device is in Settings Mode.
3. In the Settings Mode, green light flashing 5 times indicates that the entered command is wrong or not recognized.
4. In the Settings Mode, green light flashing 2 times indicates that the entered command is accepted.

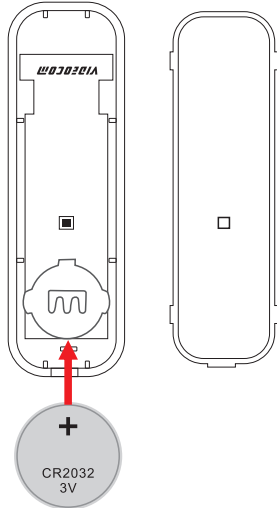
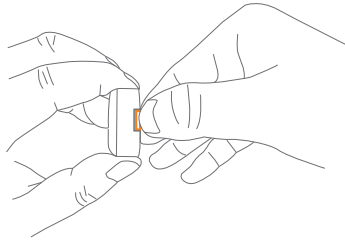
5. In the Settings Mode, green light flashing rapidly indicates that the device is searching for the network and making the connection automatically. Green light flashing 3 times indicates that the connection to the network has been made.

Red and Green Lights Illuminating Simultaneously:

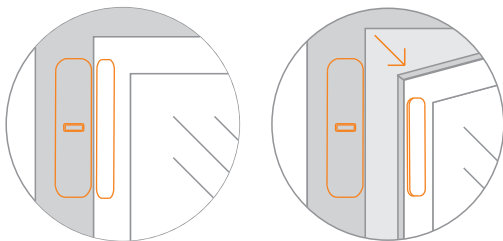
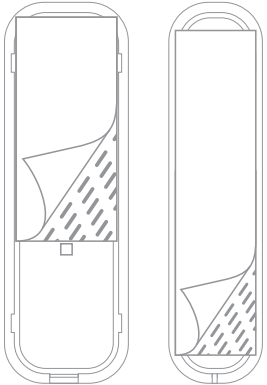
Red and green light simultaneously flashing 5 times every 10 seconds indicates that the battery is low and needs changing.

In the User Mode, when you press the Settings Button once, sensor sends an SOS signal to gateway and red light blinks once.

If the device is not connected to the network or disconnected, red and green lights will flash 3 times to indicate the connection problem.

**Installation:**

Use the 3M double sided tape and screws coming with the device to install it anywhere you want. For the placements please see the images below.

**To Setup Your Device:**

To remove the cover, release the catch by inserting a flat headed tool in to the slot shown in the image.
Remove the plastic insulator beneath the battery and close back the cover.
You can easily manage the device settings by using this button and following the LED lights instructions.

Network Connections:

Press and hold the Settings Button till the green light illuminates continuously. When the green light turns on press the button once (green light will flash once after pressing the button).
Press and hold the button again till the green light turns on. Once the device starts searching for the network the green light will start flashing rapidly and when the connection has been made green light will flash 3 times.

Note: Before connecting this device, network connection mode should be activated on the Gateway by using the Settings Button on it.

Factory Settings:

Press the Settings Button for 3 seconds till the green light illuminates continuously. Then press and release the Settings Button 10 times (green light will flash once after each pressing). Press and hold the Settings Button for 3 seconds. Green light will flash 3 times indicating that device is successfully returned to factory settings.

Note: If you press the Settings Button more or less than 10 times green light will flash 5 times indicating that the process was unsuccessful. You can continue the process by pressing 10 times as explained above.

Note: Tamper function only works if security system is armed.

CONTACT

Headquarter

VIDEOCOM-UK ELECTRONICS AND SOFTWARE LTD.

Unit 2, Little Britain House, Alma Road, Chesham,
Buckinghamshire, HP5 3HB London, United Kingdom

Distributor

VIDEOCOM ELEKTRONIK VE BILGISAYAR SISTEMLERI A.S.

Ivedik OSB 1419.Cad. No:72 06370 Y.Mahalle Ankara TURKIYE

Factory

SHENZHEN VIDEOCOM ELECTRONICS TECHNOLOGY CO.LTD.

5th.Floor East 2nd.Building, Peng Teng Da Industrial Park,
HuarongRd.Longhua, Bao an District Shenzhen CHINA